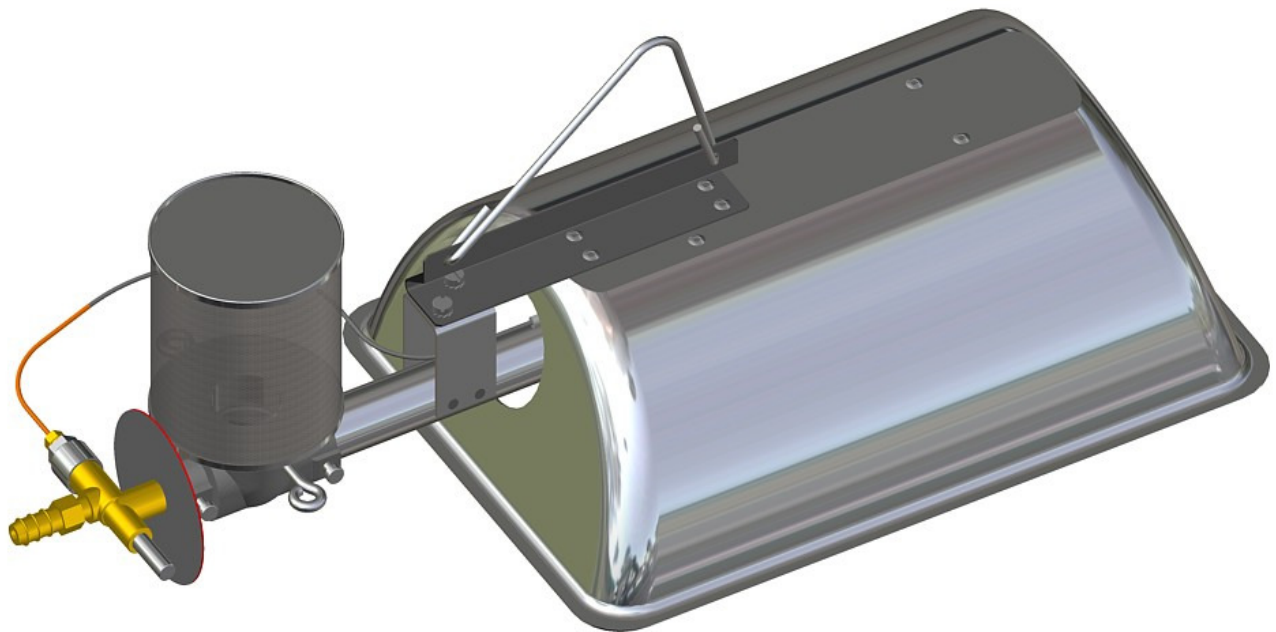


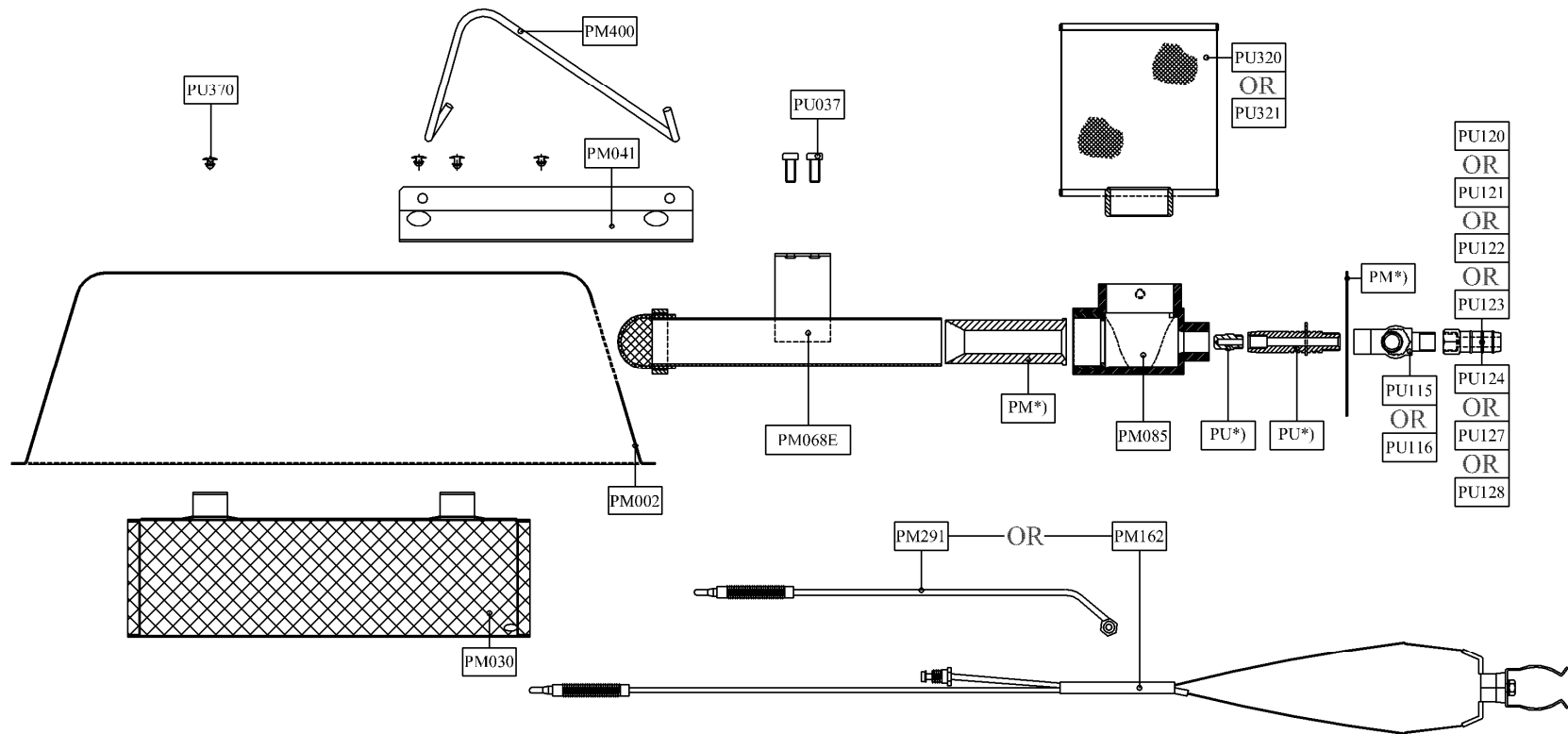


Infrared Heater M8



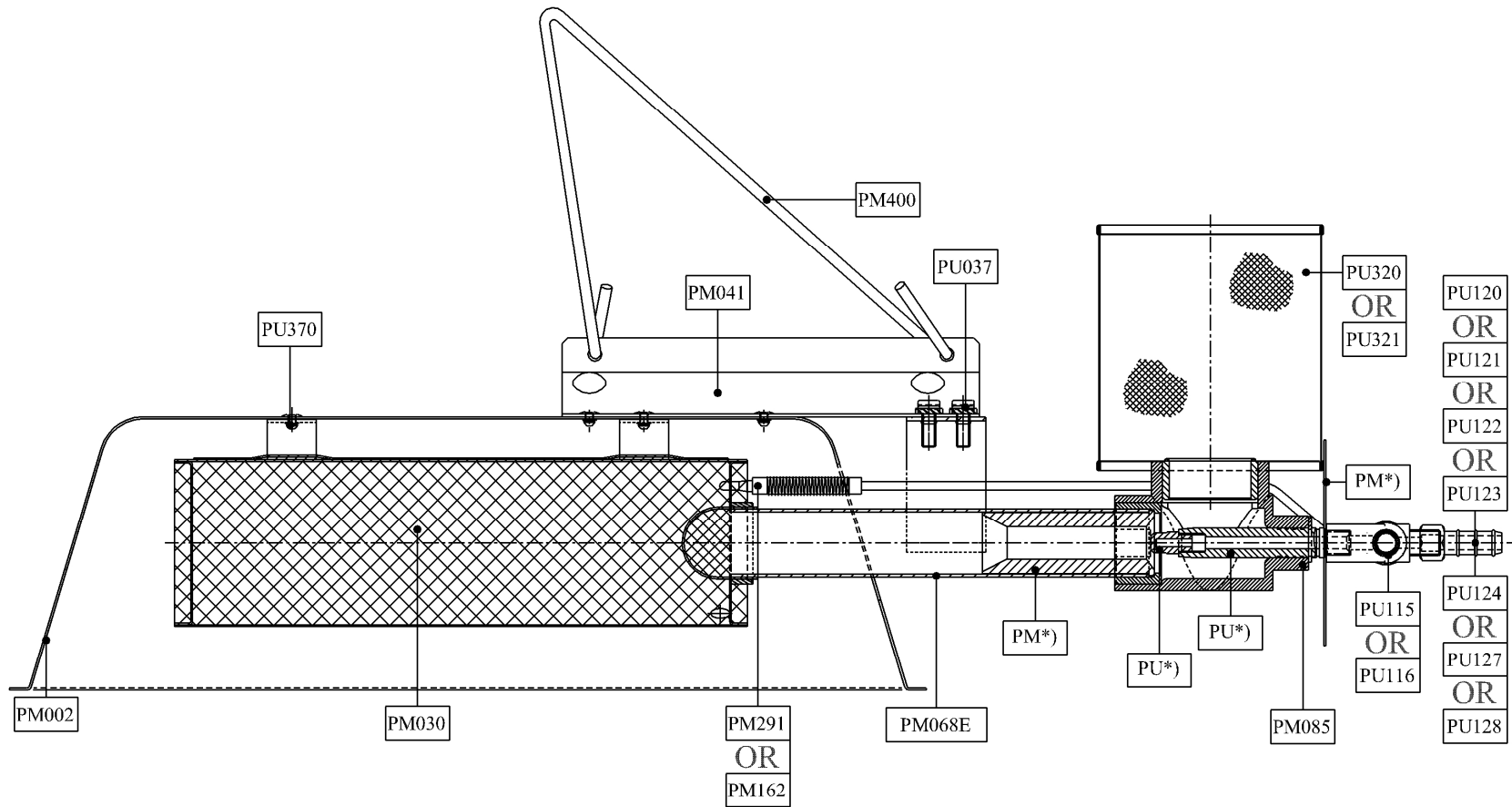
A

Infrared Heater M8



B

Infrared Heater M8



Parts List M8

| Part: | # | Description: | Old Reference: |
|---|----------|---|-----------------------|
| PU*) | 1 | Jet S/M, depends on gas type and pressure | 27 |
| PU*) | 1 | Jet Holder S/M, depends on gas type and pressure | 28 |
| PM*) | 1 | Marking Plate M8, depends on gas type and pressure | 40 |
| PM*) | 1 | Venturi, depends on gas type and pressure | 26 |
| PM002 | 1 | Reflector M5/ M8 | 21 |
| PM030 | 1 | Round Burner M8 with extra hole for tip thermocouple | 22 |
| PM041 | 1 | Suspension Frame M5/ M8 | 23 |
| PM068E | 1 | Burner pipe M8 Round without sensor strip | 24 |
| PM085 | 1 | T-piece special (for M-types) Incl. 2x PU036 – Screw M5x10 Incl. 1x PU038 – Thumb Screw T-piece M5x30x8 | 25 |
| PM291 Or PM162 | 1 | Thermocouple L=330mm Themocouple with integrated Clixon | 29 |
| PM400 | 1 | Suspension Hook M5/ M8 | 37 |
| PU037 | 2 | Screw S.S. M5x10 with spring ring | 33 |
| PU115 Or PU116 | 1 | Safety Device without Hose Socket Incl. PU117 – Interior Coil Small Safety Device with Hose Socket Incl. PU117 – Interior Coil Small | 30 |
| PU120 Or PU121 Or PU122 Or PU123 Or PU124 Or PU127 Or PU128 | 1 | Hose Socket 1/8"F 9mm Hose Socket 1/8"F 11mm Hose Socket 1/8"F 8mm smooth Bushing 1/8"F*3/8"M Bushing 1/8"F*1/2"M Special Connection Japan CGA Connection | 31 |
| PU320 Or PU321 | 1 | Stainless Steel Filter standard M/S Filter M/S Heavy Duty | 32 |
| PU370 | 6 | Rivet, stainless Ø4 | 36 |




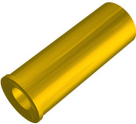
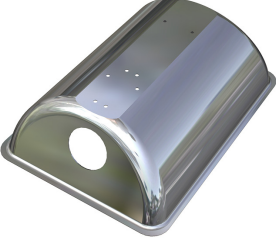

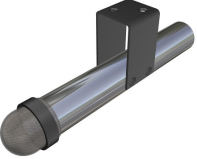

NOTES:

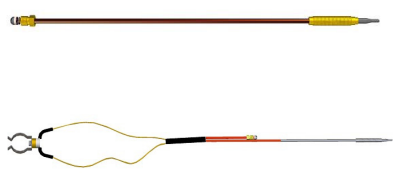


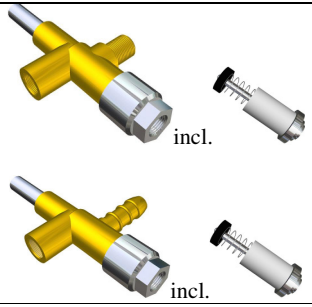


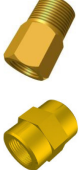
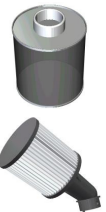

PU*) & PM*): Depends on gas type and pressure.

**): This also depends on gas type and pressure!

Infrared Heater M8

Position Numbers

| | | |
|--------|---|---|
| PU*) | Jet S/M, depends on gas type and pressure |  |
| PU*) | Jet Holder S/M, depends on gas type and pressure |  |
| PM*) | Marking Plate M8, depends on gas type and pressure |  |
| PM*) | Venturi, depends on gas type and pressure |  |
| PM002 | Reflector M5/ M8 |  |
| PM030 | Round Burner M8 with extra hole for tip thermocouple |  |
| PM041 | Suspension Frame M5/ M8 |  |
| PM068E | Burner pipe M8 Round without Sensor strip |  |
| PM085 | T-piece special (for M-types) Incl. 2x PU036 – Screw M5x10 Incl. 1x PU038 – Thumb Screw T-piece M5x30x8 |  |

| | | |
|-------------------------------------|---|---|
| PM291 Or PM162 | Thermocouple L=330mm Thermocouple with integrated Clixon |  |
| PM400 | Suspension Hook M5/ M8 |  |
| PU037 | Screw S.S. M5x10 with spring ring |  |
| PU115 Or PU116 | Safety Device without Hose Socket Incl. PU117 - Interior Coil Small Safety Device with Hose Socket Incl. PU117 - Interior Coil Small |  |
| PU120 Or PU121 Or PU122 | Hose Socket 1/8"F 9mm Hose Socket 1/8"F 11mm Hose Socket 1/8"F 8mm smooth |  |
| PU123 Or PU124 | Bushing 1/8"F*3/8"M Bushing 1/8"F*1/2"M |  |
| PU127 Or PU128 | Special Connection Japan CGA Connection |  |
| PU320 Or PU321 | Stainless Steel Filter standard M/S Filter M/S Heavy Duty |  |
| PU370 | Rivet, stainless Ø4 |  |